

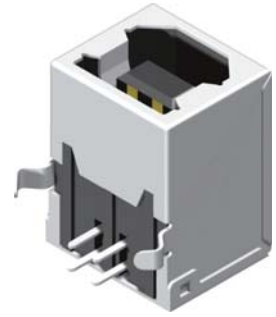
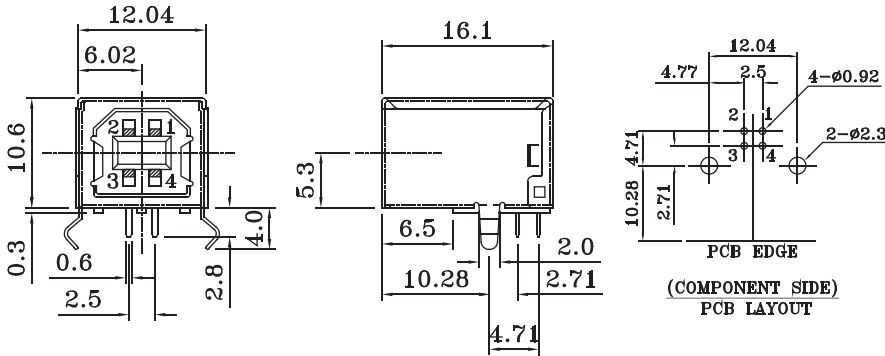


USB Conn. Series



ROHS

USB Female Dip 90° B Type

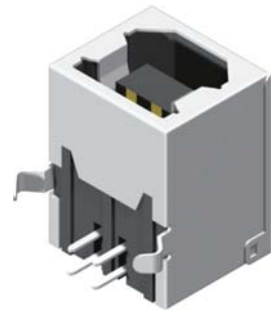
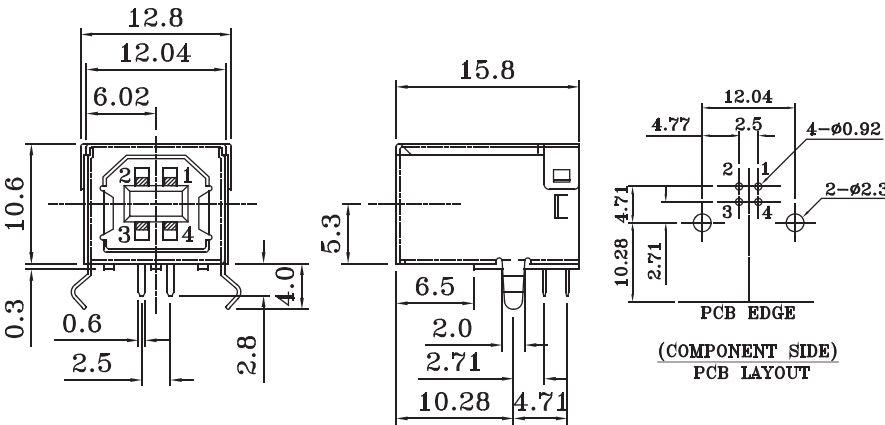


No.	Name	Q'ty	Material	Remarks & Thickness	Finish
1	Housing	1	PBT G.F.		White/Black
2	Pin Term.	4	Copper Alloy T:0.25	Ni:1-1.5u ; Tin:3u Gold:1-3u*	Gold/Tin Plated
3	Shell	1	Brass T:0.3	Ni:2-3u	Nickel Plated

Part No.:USB-001-B□-L

B:Black W:White

USB Female Dip 90° B Type

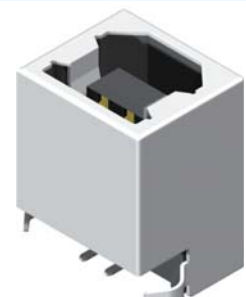
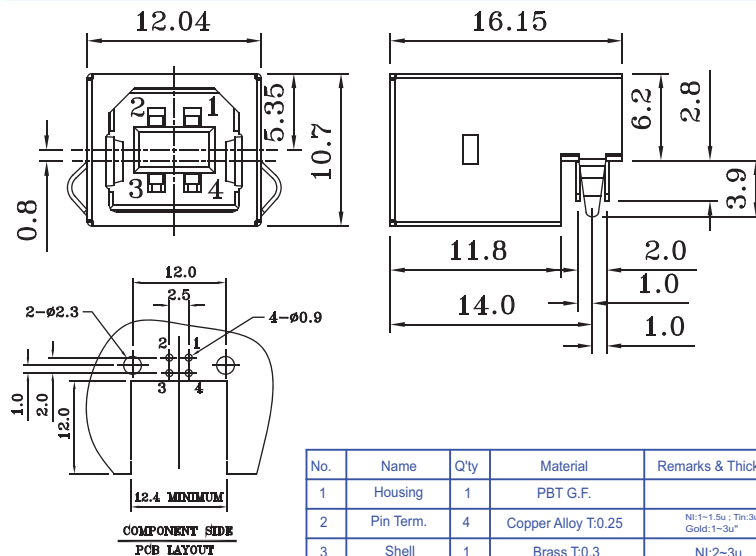


No.	Name	Q'ty	Material	Remarks & Thickness	Finish
1	Housing	1	PBT G.F.		White/Black
2	Pin Term.	4	Copper Alloy T:0.25	Ni:1-1.5u ; Tin:3u Gold:1-3u*	Gold/Tin Plated
3	Shell	1	Brass T:0.3	Ni:2-3u	Nickel Plated

Part No.:USB-001F-B□-L

B:Black W:White

USB Female Dip 90° B Type



No.	Name	Q'ty	Material	Remarks & Thickness	Finish
1	Housing	1	PBT G.F.		White/Black
2	Pin Term.	4	Copper Alloy T:0.25	Ni:1-1.5u ; Tin:3u Gold:1-3u*	Gold/Tin Plated
3	Shell	1	Brass T:0.3	Ni:2-3u	Nickel Plated

Part No.:USB-001D-B□-L

B:Black W:White

CONNECTORS MANUFACTURE